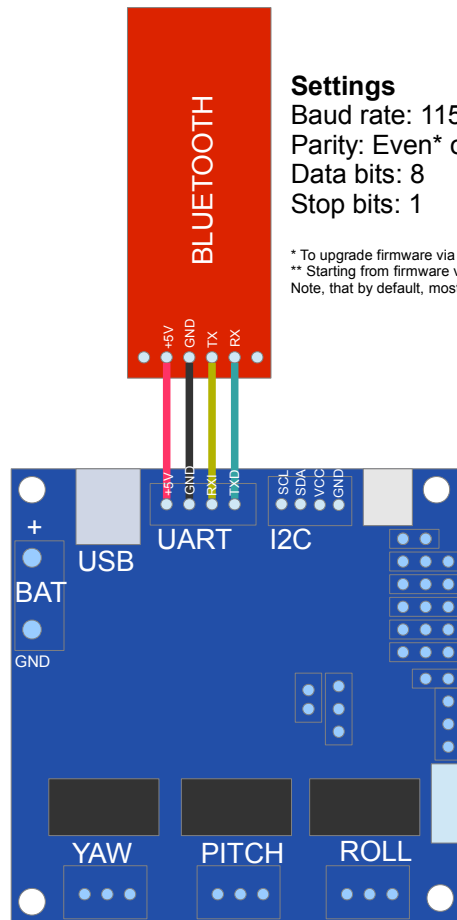


SimpleBGC 3.0 (32bit) bluetooth connection



Settings

Baud rate: 115200

Parity: Even* or None**

Data bits: 8

Stop bits: 1

* To upgrade firmware via Bluetooth, only 'Even' parity will work.
** Starting from firmware ver 2.41, 'None' parity is supported, too.
Note, that by default, most modules configured with 'None' parity.